

CUP & CONE DISPENSER & MODULAR HOUSING

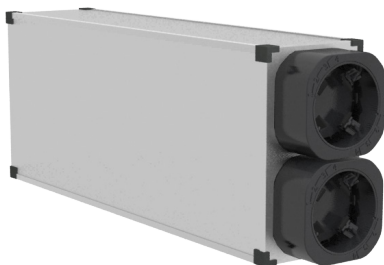
MODEL # FSW204, FSW203, FSW202



FSW204



FSW203



FSW202

Item #:
Description:
Quantity:

PRODUCT INFORMATION (FSW204)

Cup & Cone Dispenser mounts on the shake machine.

FEATURES

- Holds 4 cups and 2 rows of cones

PRODUCT INFORMATION (FSW203)

As an optional part of the Modular Cup/Cone Dispensing System, the 2-Drawer Cake Cone Dispenser can hang from the 2-Cup Universal Housing, mount directly to the shake machine, or be used as a stand alone unit. The light weight cone drawers are independent, so one can be loaded while the other is still in use, and have a long life silicone cone gasket that can be replaced without tools. In addition, as part of the modular system, it is compatible with many of the accessory items that support your complete production center solution.

FEATURES

- 2 independent fully removable light weight cone drawers
- Continuous tension plunger with lock open feature for easy loading
- Can be used both vertical and horizontal
- Hangs from 2-Cup Universal Housing
- Mounts directly to shake machine
- Can be used as a stand alone unit
- No-tool replaceable long life silicone cone gasket

PRODUCT INFORMATION (FSW202)

This 2-place Universal Cup Housing was designed with flexibility in mind to keep up with expanding variety of cups required to support beverage and dessert segments. It can be wall mounted, placed on any work surface and even be stacked vertically or horizontally.

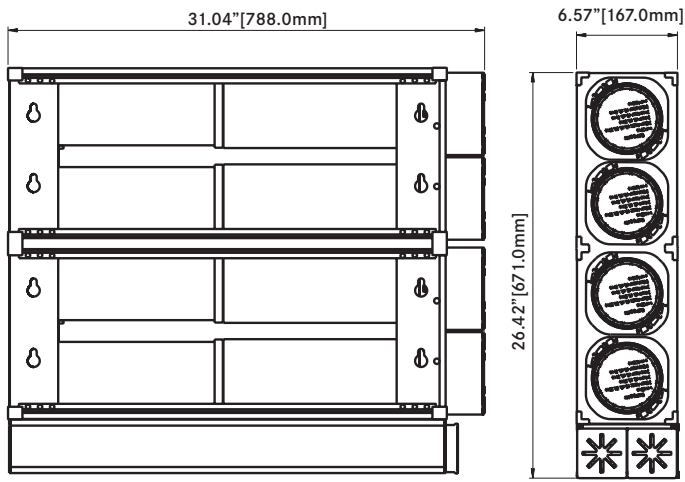
FEATURES

- Durable stainless steel construction
- Easy-to-clean removable side panels
- Includes 2 Universal Adjustable Cup Tubes
- Can be used as freestanding unit with rubberized corners
- Can be stacked vertically or horizontally
- Can be wall mounted
- 1 year parts and labor warranty

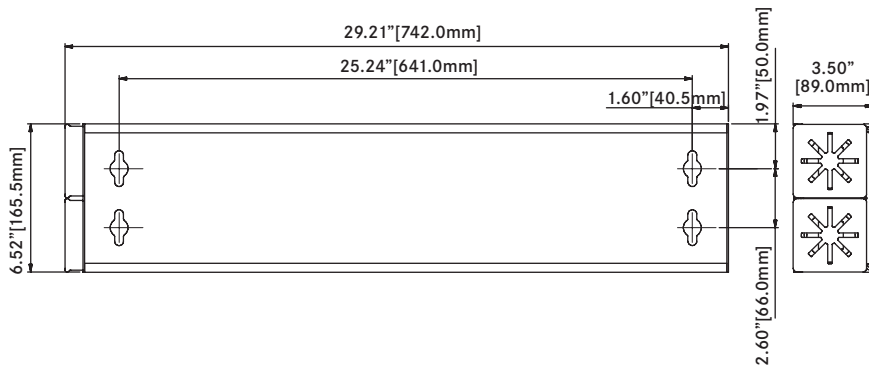


*Make
it
Wonderful*

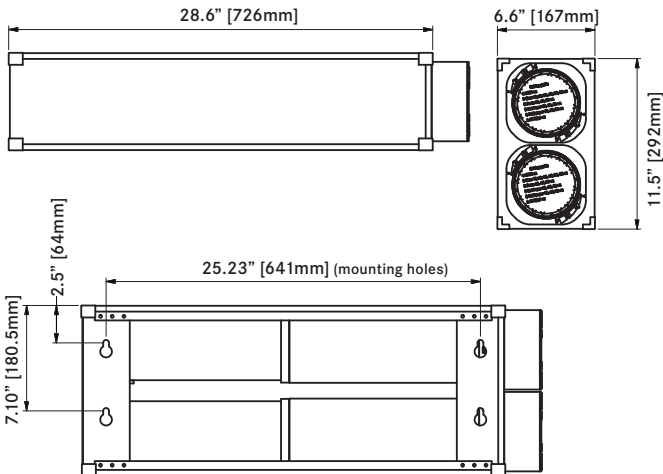




DIMENSIONS	Width	6.58"	167 mm
	Depth	31.1"	789 mm
	Height	26.4"	671 mm
	Unit Weight	45.9 lbs	20.8kg
SHIPPING	Ship Weight	57.5 lbs	26.1kg
	FOB	37167	Smyrna, TN



DIMENSIONS	Width	3.5"	89 mm
	Depth	29.2"	742 mm
	Height	6.5"	165 mm
	Unit Weight	15.4 lbs	7kg
SHIPPING	Ship Weight	18 lbs	8.1kg
	FOB	37167	Smyrna, TN



DIMENSIONS	Width	6.6"	167mm
	Depth(housing)	28.6"	726mm
	Depth(overall)	31.1"	789mm
	Height	11.5"	292mm
SHIPPING	Unit Weight	15.9 lbs	7.21kg
	Ship Weight	17 lbs	7.67kg
	FOB	37167	Smyrna, TN

©2015 Franke Foodservice Systems, Inc. - This media is the confidential and proprietary property of Franke Foodservice Systems, Inc. and shall not be reproduced in any form of media without the expressed written permission of a Franke representative. Due to continuous product development, Franke Foodservice Systems, Inc., reserves the right to make changes in design and specifications without prior notice. Under license Franke Technology and Trademark Ltd., Switzerland. Printed in USA.

Franke Foodservice Systems, Inc.
 800 Aviation Parkway
 Smyrna, TN 37167
 Tel +1-877-379-3769
 frankeamericas.com

